

These panels are professional antenna products for PCS and similar applications in the 1850–1990 MHz band, featuring:

- Patented manufacturing techniques with materials selected for long life and reliability.
- Superior electrical performance, with low VSWR, wide bandwidth, flat frequency response, and extremely low intermodulation products.
- An extremely low profile design provides minimal visual impact.
- All metal components are DC grounded to minimize lightning damage.
- Rugged stainless steel hardware and special fiberglass radomes ensure an extended service life.

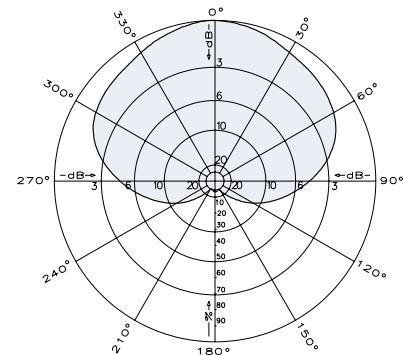


**Specifications:**

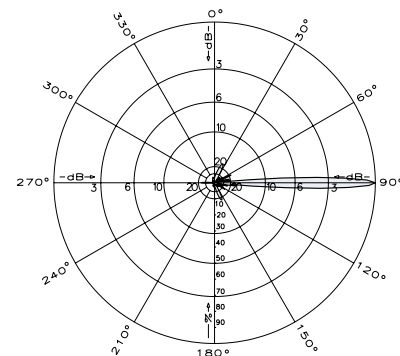
Frequency range	1850–1990 MHz
Gain	15.5 dBi
Impedance	50 ohms
VSWR	< 1.5:1
Intermodulation (2x25w)	IM3:< -150 dBc
Polarization	Vertical
Front-to-back ratio	>23 dB
Maximum input power	200 watts (at 50°C)
H-plane beamwidth	160 degrees (half power)
E-plane beamwidth	5.5 degrees (half power)
Connector	7/16 DIN female
Weight	12.1 lb (5.5 kg)
Dimensions	64.1 x 6.1 x 5.6 inches (1628 x 155 x 142 mm)
Equivalent flat plate area	4.71 ft <sup>2</sup> (0.436 m <sup>2</sup> )
Wind survival rating*	120 mph (200 kph)
Shipping dimensions	81 x 8 x 7 inches (2057 x 203 x 178 mm)
Shipping weight	21 lb (9.5 kg)
Mounting	Fixed and tilt-mount options are available for 1.2 to 5.3 inch (30 to 135 mm) OD masts. Panel can be inverted.

See reverse for order information.

\* Mechanical design is based on environmental conditions as stipulated in EIA-222-F (June 1996) and/or ETS 300 019-1-4 which include the static mechanical load imposed on an antenna by wind at maximum velocity. See the Engineering Section of the catalog for further details.



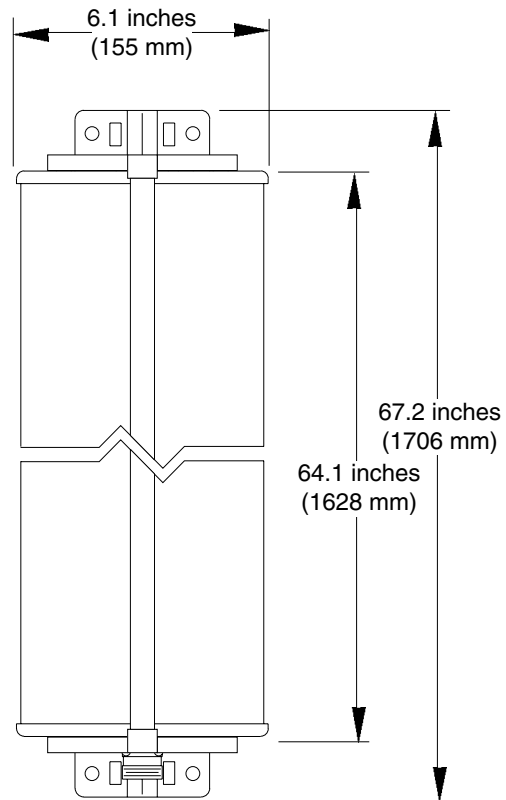
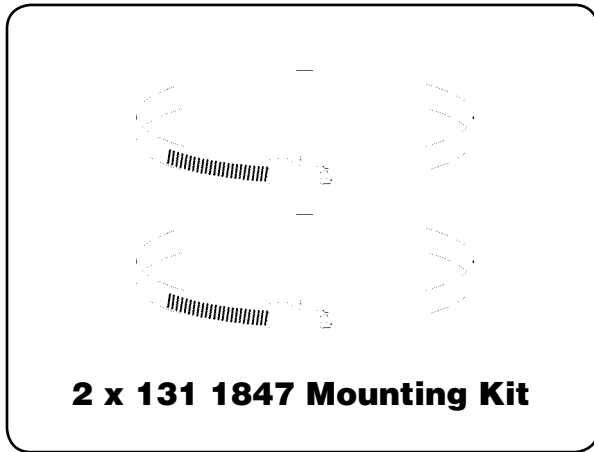
H-plane  
Horizontal pattern – V-polarization



E-plane  
Vertical pattern – V-polarization

First null below horizon is less than 20 dB below maximum gain of main lobe.





United States Patent  
#5,502,707

**Mounting Options:**

Model	Description
2 x 131 1847	Mounting Kit for 2 to 5.7 inch (50 to 145 mm) OD mast.
732 327	Tilt Kit for use with the above mounting kit, 0–8.5 degrees downtilt angle.

**Order Information:**

Model	Description
738 893	Antenna with 7/16 DIN connector 0° electrical downtilt

All specifications are subject to change without notice. The latest specifications are available at [www.kathrein-scala.com](http://www.kathrein-scala.com).

Kathrein Inc., Scala Division Post Office Box 4580 Medford, OR 97501 (USA) Phone: (541) 779-6500 Fax: (541) 779-3991  
Email: [communications@kathrein.com](mailto:communications@kathrein.com) Internet: [www.kathrein-scala.com](http://www.kathrein-scala.com)