

Kathrein-Scala vertically polarized panels are part of a series of antenna products for PCS, PCN, and other applications in the 1850-1990 MHz band, featuring:

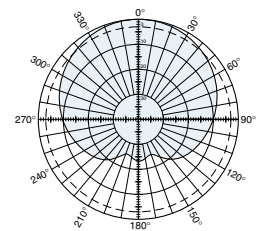
- Patented manufacturing techniques with materials selected for long life and reliability in space diversity systems.
- Superior electrical performance, with low VSWR, wide bandwidth, flat frequency response, and extremely low intermodulation products.
- An extremely low profile design provides minimal visual impact.
- High strength pultruded fiberglass radomes.
- Downtilt options.

Specifications:

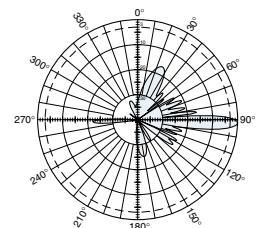
Frequency range	1850-1990 MHz
Gain	17.5 dBi
Impedance	50 ohms
VSWR	< 1.3:1
Intermodulation (2x20w)	IM3: -150 dBc
Polarization	Vertical
Front-to-back ratio	>23 dB
Maximum input power	200 watts (at 50°C)
H-plane beamwidth	90 degrees (half-power)
E-plane beamwidth	5.5 degrees (half-power)
Electrical downtilt	2 degrees
Connector	7/16 DIN female
Weight	11.7 lb (5.3 kg)
Dimensions	64.1 x 6.1 x 2.25 inches (1628 x 155 x 57 mm)
Equivalent flat plate area	3.53 ft ² (0.328 m ²)
Wind survival rating*	120 mph (200 kph)
Shipping dimensions	78 x 8 x 6 inches (1981 x 203 x 152 mm)
Shipping weight	18 lb (8.2 kg)
Mounting	Fixed and tilt-mount options are available for 1.2 to 5.3 inch (30 to 135 mm) OD masts.

See reverse for order information.

* Mechanical design is based on environmental conditions as stipulated in EIA-222-F (June 1996) and/or ETS 300 019-1-4 which include the static mechanical load imposed on an antenna by wind at maximum velocity. See the Engineering Section of the catalog for further details.



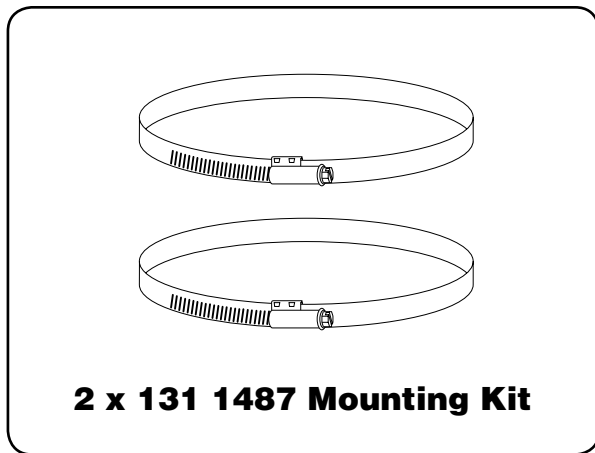
H-plane
Horizontal pattern
V-polarization



E-plane
Vertical pattern
V-polarization

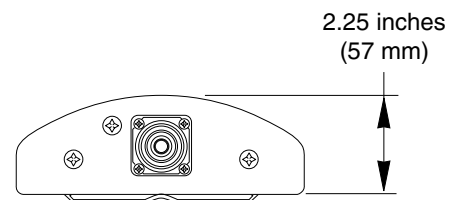
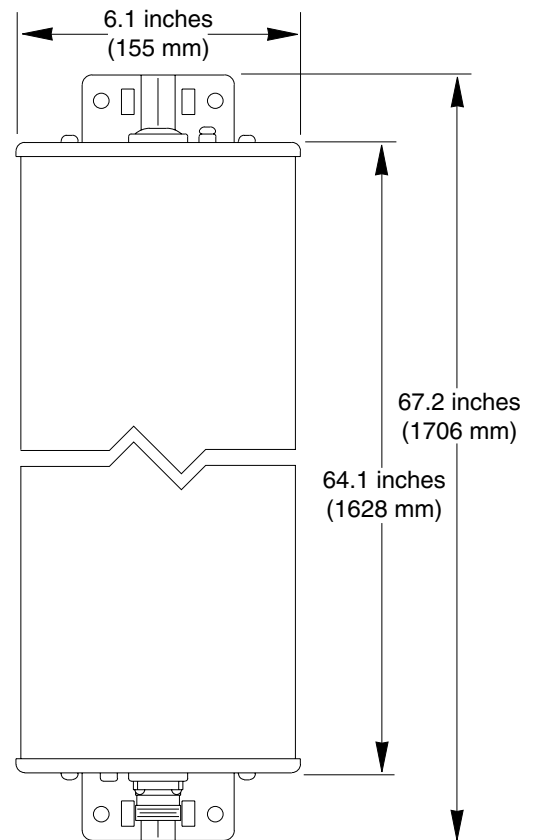


11042-A



Mounting Options:

Model	Description
2 x 131 1487 (shown)	Mounting Kit for 2 to 5.7 inch (50 to 145 mm) OD mast.
742 263	Three-panel Sector Mounting Kit (120 deg. ea.) for 3.5 inch (89 mm) OD mast.
732 327	Tilt Kit for use with the above mounting kits, 0–8.5 degrees downtilt angle.



Order Information:

Model	Description
738 577	Antenna with 7/16 DIN connector 2° electrical downtilt

All specifications are subject to change without notice. The latest specifications are available at www.kathrein-scala.com.

Kathrein Inc., Scala Division Post Office Box 4580 Medford, OR 97501 (USA) Phone: (541) 779-6500 Fax: (541) 779-3991
Email: communications@kathrein.com Internet: www.kathrein-scala.com