

Kathrein's 738 445 and 738 446 antennas have a compact rugged design intended for use in outdoor and indoor applications where a bidirectional radiation pattern is required.

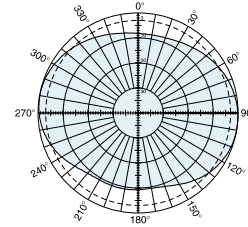
- Protected from the elements by an attractive low-visibility radome, ensuring proper operation in icing conditions and resistance to corrosion.
- All metal components are DC grounded. The antennas include mounting tabs for attachment to a wall or other flat vertical surface and hardware is included for mast installation.

**Specifications:**

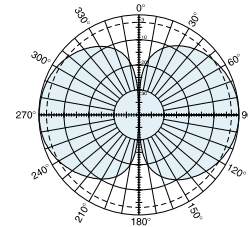
Frequency range	790–960 MHz 1710–2170 MHz
Gain	790–960 MHz 5 dBi 1710–1880 MHz 5.5 dBi 1880–2170 MHz 6.5 dBi
Impedance	50 ohms
VSWR	790–806 MHz < 2.2:1 806–824 MHz < 1.7:1 824–960 MHz < 1.5:1 1710–2170 MHz < 1.5:1
Polarization	Vertical
Maximum input power	200 watts (at 50°C)
Connector	N or 7-16 DIN female
Weight	1.8 lb (.8 kg)
Dimensions	15.7 x 7.4 x 2.2 inches (400 x 188 x 55 mm)
Wind load	at 93 mph (150kph)
Front/Side/Rear	6 lbf / 15 lbf / 8 lbf (25 N) / (65 N) / (35 N)
Wind survival rating	120 mph (200 kph)
Shipping dimensions	16.6 x 8.3 x 3.7 inches (422 x 212 x 95 mm)
Shipping weight	2.6 lb (1.2 kg)
Mounting	Wall mounted or to masts of 2 to 5.7 inch (50 to 145 mm) OD.

See reverse for order information.

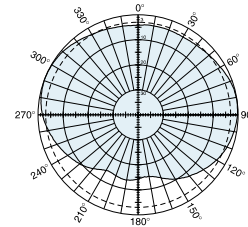
\* Mechanical design is based on environmental conditions as stipulated in EIA-222-G (April 2007) and/or ETS 300 019-1-4 which include the static mechanical load imposed on an antenna by wind at maximum velocity. See the Engineering Section of the catalog for further details.



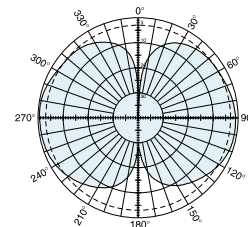
H-plane 790-960 MHz  
Horizontal pattern – V-polarization



E-plane 790-960 MHz  
Vertical pattern – V-polarization

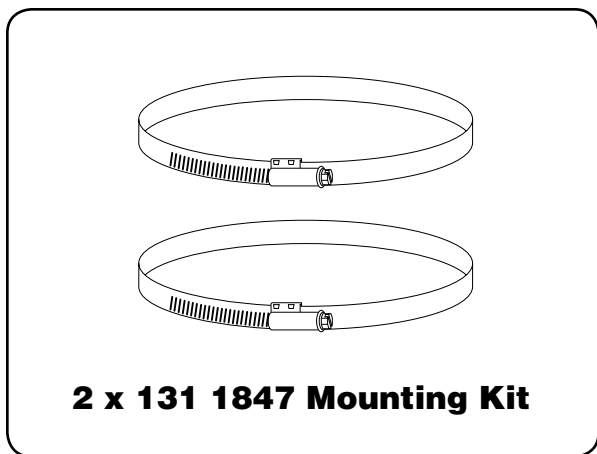


H-plane 1710-2170 MHz  
Horizontal pattern – V-polarization



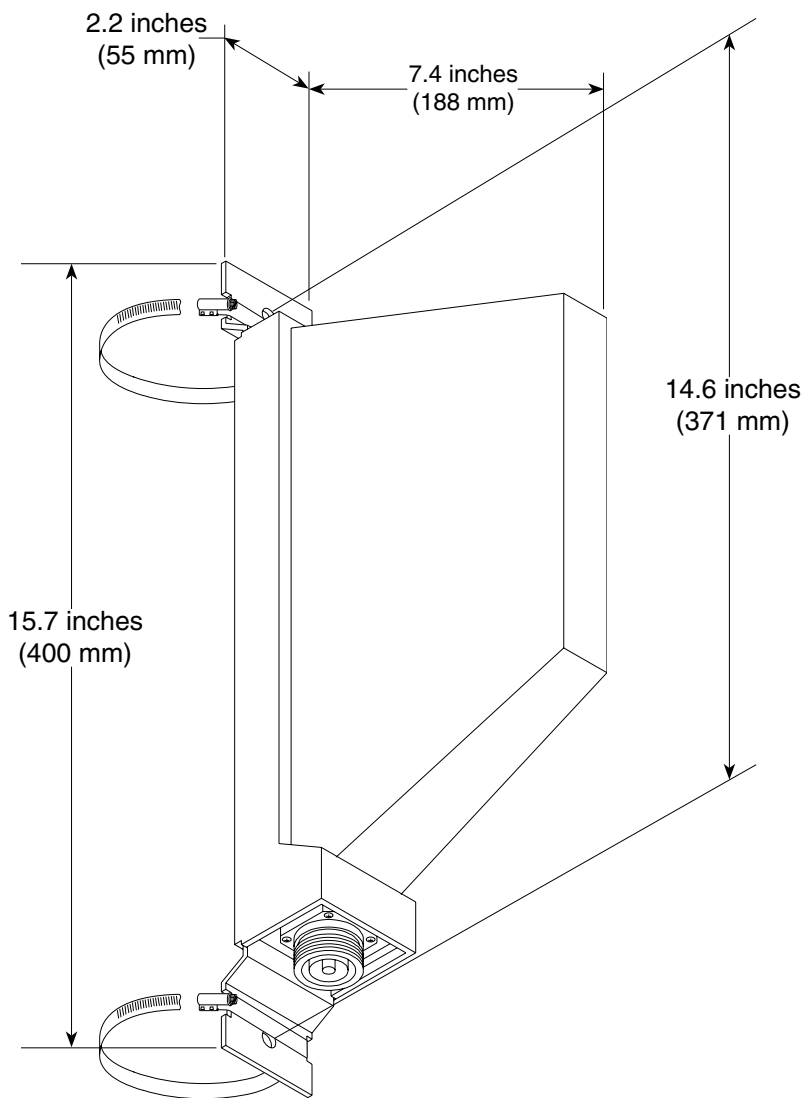
E-plane 1710-2170 MHz  
Vertical pattern – V-polarization





**Mounting Options:**

Model	Description
2 x 131 1847	Mounting Kit for 1.2 to 2.125 inch (30 to 55 mm) OD mast.



**Order Information:**

Model	Description
738 445	Antenna with 7-16 DIN connector
738 446	Antenna with N connector

All specifications are subject to change without notice. The latest specifications are available at [www.kathrein-scala.com](http://www.kathrein-scala.com).