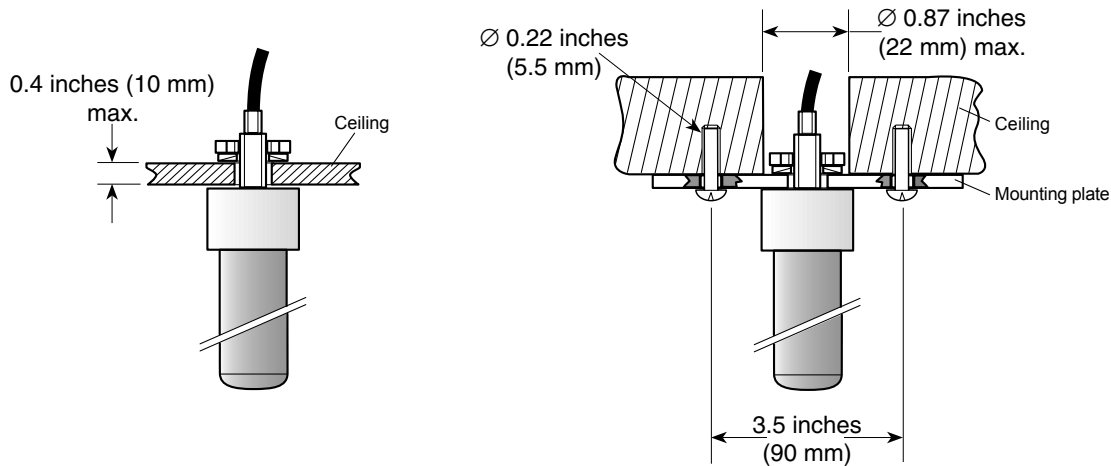


Kathrein's omnidirectional 737 299 antenna incorporates the quality design and attention to detail that have established our entire line of antennas as industry leaders. This antenna features:

- Brass dipole.
- White fiberglass radome
- DC grounding of all metal parts including the inner conductor.
- Optional aluminum mounting plate.

**Specifications:**

Frequency range	406–430 MHz
Gain	2 dBi
Impedance	50 ohms
VSWR	< 1.5:1
Polarization	Vertical
Maximum input power	50 watts (at 50°C)
H-plane beamwidth	Omni
Input	Gray 39 inch (1 m) RG 58/CU cable without connector
Weight	0.55 lb (250 g)
Height	15.7 inches (400 mm)
Radome diameter	0.78 inches (20 mm)
Shipping dimensions	25.6 x 5.1 inches (650 x 130 mm) foil pack
Mounting	Mounts through a 0.47 inch (12 mm) hole. An aluminum mounting plate is included for mounting on surfaces more than 0.4 inches (10 mm) thick



**Order Information:**

Model	Description
737 299	Antenna



All specifications are subject to change without notice.  
The latest specifications are available at [www.kathrein-scala.com](http://www.kathrein-scala.com).