

Kathrein-Scala vertically polarized panels are part of a series of antenna products for PCS, PCN, and other applications in the 1850-1990 MHz band, featuring:

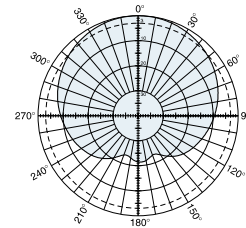
- Patented manufacturing techniques with materials selected for long life and reliability in space diversity systems.
- Superior electrical performance, with low VSWR, wide bandwidth, flat frequency response, and extremely low intermodulation products.
- An extremely low profile design provides minimal visual impact.
- High strength pultruded fiberglass radomes.
- Downtilt options.

**Specifications:**

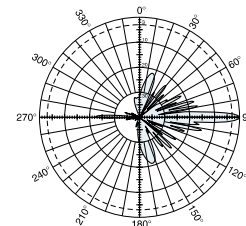
Frequency range	1850–1990 MHz
Gain	18 dBi
Impedance	50 ohms
VSWR	< 1.3:1
Intermodulation (2x20w)	IM3: -150 dBc
Polarization	Vertical
Front-to-back ratio	>23 dB
Maximum input power	200 watts (at 50°C)
H-plane beamwidth	90 degrees
E-plane beamwidth	4.5 degrees
Electrical downtilt	0 degrees
Connector	7/16 DIN female
Weight	15.2 lb (6.9 kg)
Dimensions	76.7 x 6.1 x 2.25 inches (1948 x 155 x 57 mm)
Equivalent flat plate area	4.39 ft <sup>2</sup> (0.407 m <sup>2</sup> )
Wind survival rating*	120 mph (200 kph)
Shipping dimensions	91 x 8 x 6 inches (2311 x 203 x 152 mm)
Shipping weight	21 lb (9.5 kg)
Mounting	Fixed and tilt-mount options are available for 1.2 to 5.3 inch (30 to 135 mm) OD masts. Panel without electrical downtilt can be inverted.

See reverse for order information.

\* Mechanical design is based on environmental conditions as stipulated in EIA-222-F (June 1996) and/or ETS 300 019-1-4 which include the static mechanical load imposed on an antenna by wind at maximum velocity. See the Engineering Section of the catalog for further details.



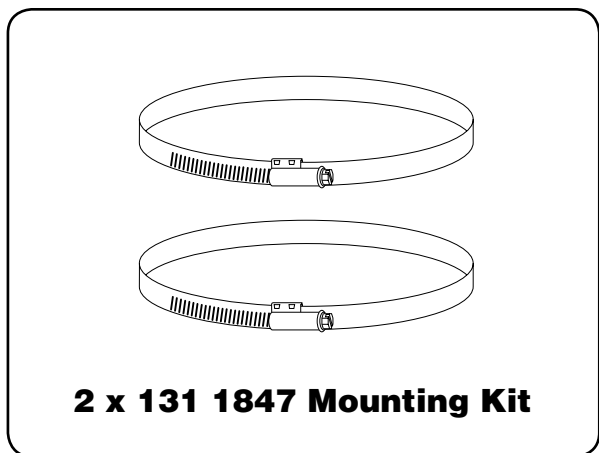
H-plane  
Horizontal pattern  
V-polarization



E-plane  
Vertical pattern  
V-polarization

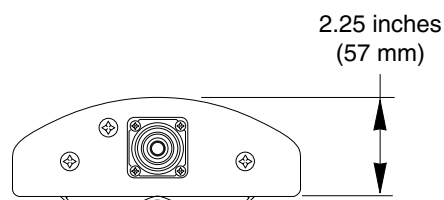
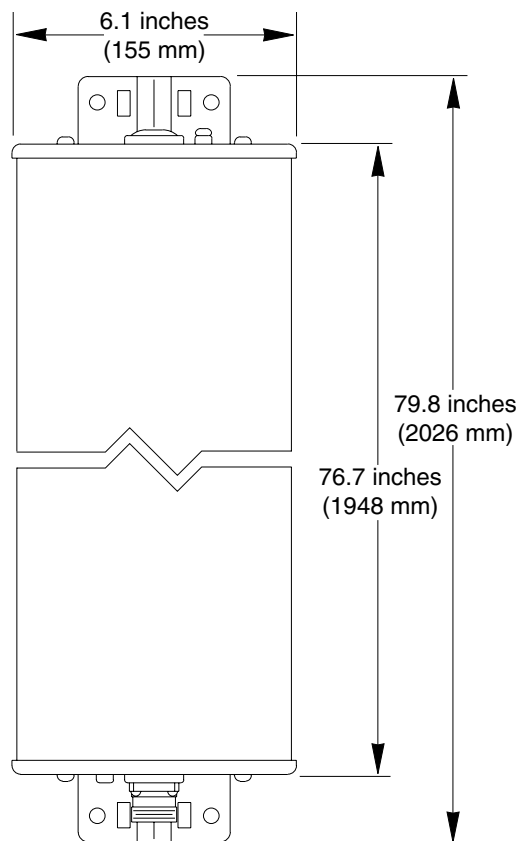


10135-F



**Mounting Options:**

Model	Description
2 x 131 1847 (shown)	Mounting Kit for 2 to 5.7 inch (50 to 145 mm) OD mast.
742 263	Three-panel Sector Mounting Kit (120 deg. ea.) for 3.5 inch (89 mm) OD mast.
732 327	Tilt Kit for use with the above mounting kits, 0-7 degrees downtilt angle.



**Order Information:**

Model	Description
736 434	Antenna with 7/16 DIN connector 0° electrical downtilt

All specifications are subject to change without notice. The latest specifications are available at [www.kathrein-scala.com](http://www.kathrein-scala.com).

Kathrein Inc., Scala Division Post Office Box 4580 Medford, OR 97501 (USA) Phone: (541) 779-6500 Fax: (541) 779-3991  
Email: [communications@kathrein.com](mailto:communications@kathrein.com) Internet: [www.kathrein-scala.com](http://www.kathrein-scala.com)