

Omnidirectional Antenna

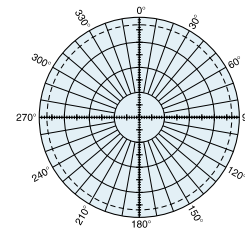
Kathrein Scala's omnidirectional antennas for wireless, paging, SMR and mobile applications are extremely robust, using the finest fiberglass, brass, and aluminum. Applicable mounting hardware is fabricated from stainless steel. Many models may be mounted inverted. Higher gain antennas can be provided with downtilt, as well.

- Wireless
- Paging
- SMR
- Land Mobile
- ISM

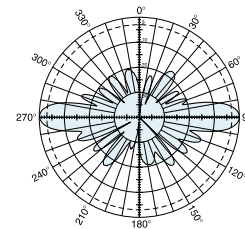
Specifications:

Frequency range	870–960 MHz
Gain	8 dBi
Impedance	50 ohms
VSWR	< 1.5:1
Intermodulation (2x20w)	IM3: -150dBc
Polarization	Vertical
Maximum input power	500 watts (at 50°C)
H-plane beamwidth	Omni
E-plane beamwidth	13 degrees (half-power)
Connector	N or 7-16 DIN female
Weight	12.1 lb (5.5 kg)
Height	60.7 inches (1543 mm)
Radome diameter	2 inches (51 mm)
Wind survival rating	120 mph (200 kph)
Wind load	at 93 mph (150kph)
Side	30 lbf (130 N)
Shipping dimensions	70 x 6 x 5 inches (1848 x 148 x 112 mm)
Shipping weight	14 lb (6.4 kg)
Mounting	For masts of 2 to 3.75 inch (50 to 94 mm) OD.

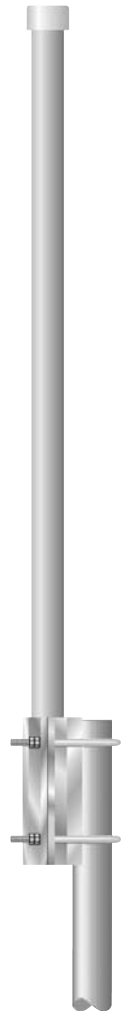
See reverse for order information.



H-plane
Horizontal pattern
V-polarization



E-plane
Vertical pattern
V-polarization

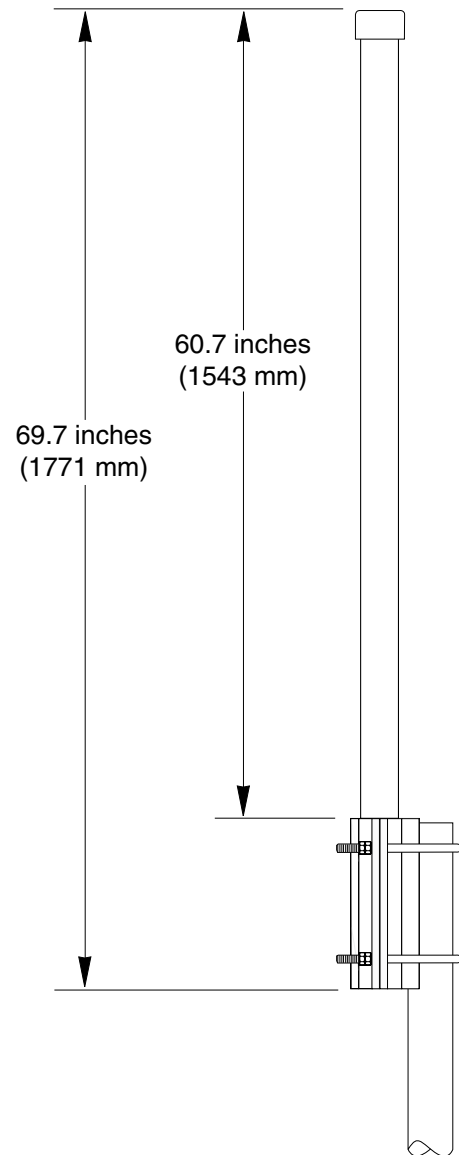
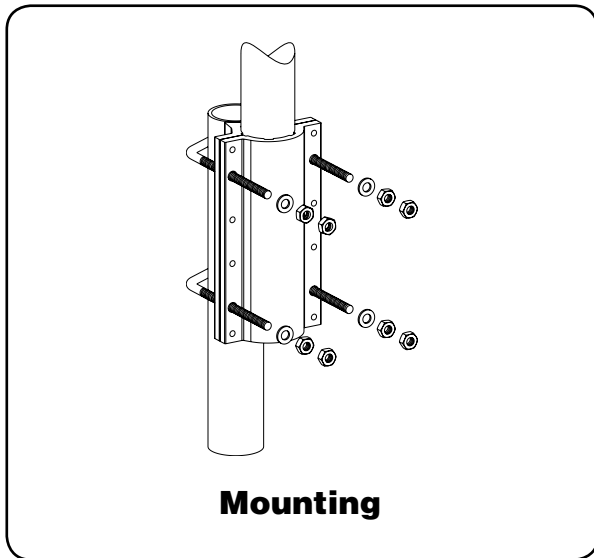


* Mechanical design is based on environmental conditions as stipulated in TIA-222-G-2 (December 2009) and/or ETS 300 019-1-4 which include the static mechanical load imposed on an antenna by wind at maximum velocity. See the Engineering Section of the catalog for further details.



11031-B
936.1275/h

Omnidirectional Antenna



Order Information:

Model	Description
OGB6-915N	Antenna with N connector 0° electrical downtilt
736 350 OGB6-915D	Antenna with 7-16 DIN connector 0° electrical downtilt

All specifications are subject to change without notice. The latest specifications are available at www.kathrein-scala.com.