

The Kathrein 732-997 is a broadband antenna designed for on trains, buses, and other commercial vehicles in wireless communications systems. These antennas are supplied with an aluminum mounting flange for attachment to a conductive surface. The radiating element is aluminum and protected by a gray fiberglass radome. It is DC grounded to protect against lightning and high-tension lines. All fasteners are stainless steel.

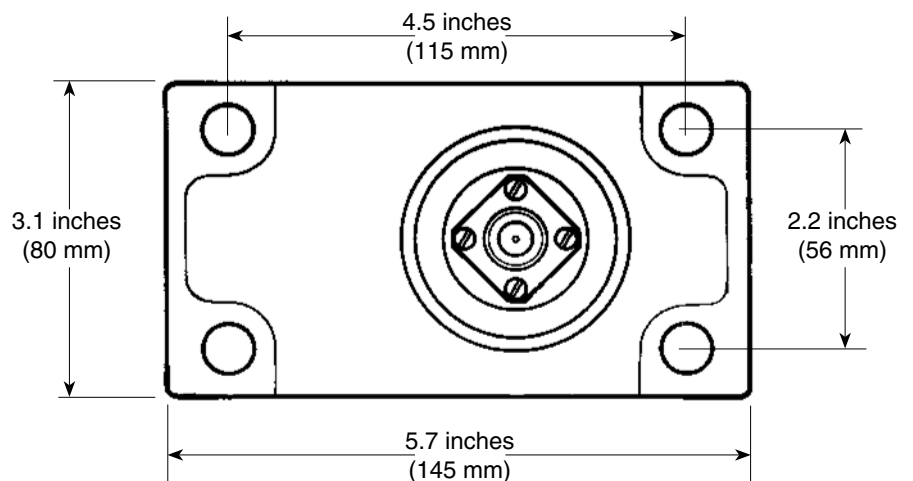


**Specifications:**

Frequency range	380–412 MHz
Gain	0 dBd
Impedance	50 ohms
VSWR	<1.5:1
Polarization	Vertical
Maximum input power	200 watts (at 50° C)
Connector	N female
Weight	1.1 lb (0.5 kg)
Dimensions	5.7 x 5.5 x 3.1 inches (145 x 140 x 80 mm)
Shipping dimensions	8.3 x 5.9 x 3.4 inches (210 x 151 x 87 mm)
Mounting	Mounts on a conductive surface with a minimum size of 40 x 40 inches (1000 x 1000 mm) with 4 studs M10. Requires 1.3 inch (33 mm) hole for the connector.

**Order Information:**

Model	Description
732 997	Mobile antenna with N female connector



Note: Keep mounting surface clear of paint for electrical contact.



10876-A  
936.A975

All specifications are subject to change without notice.

The latest specifications are available at [www.kathrein-scala.com](http://www.kathrein-scala.com).