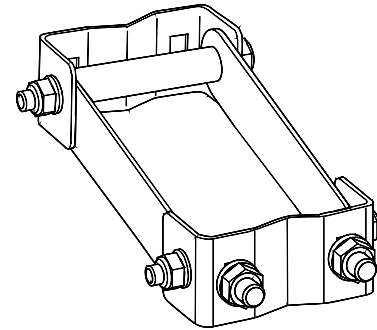


The Kathrein 732-319 Slant Compensation Kit is designed to mount 60°–160° horizontal beam with F-panels and is used with AMB-18 mounting kit.

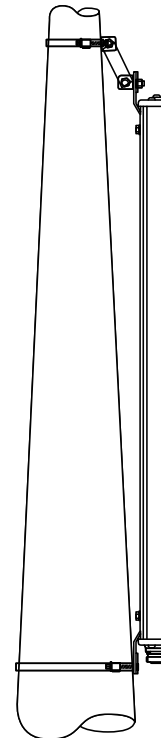
**Specifications:**

Material	Stainless steel
Weight	0.4 lb (0.2 kg)
Dimensions	3 x 2.2 inches (77 x 57 mm)
Mounting	Mounts using the supplied fasteners and AMC-18 mounting kit



**Order Information:**

Model	Description
732 319	Slant compensation kit



10918-A



All specifications are subject to change without notice.  
The latest specifications are available at [www.kathrein-scala.com](http://www.kathrein-scala.com).