

The Kathrein 731 291 directional broadband panel antenna is intended for use in professional fixed-station applications in the 400–470 MHz bands. It features:

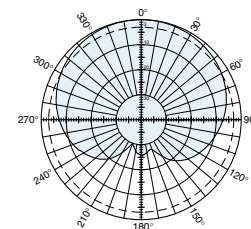
- Heavy-duty stainless steel and aluminum construction throughout.
- Excellent bandwidth and VSWR specifications.
- Brass and copper dipoles.
- Heavy fiberglass radome assures excellent performance in heavy icing conditions.
- All metal parts at DC ground potential.

Specifications:

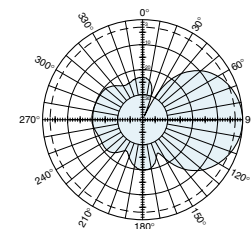
Frequency range	400–470 MHz
Gain	9 dBi
Impedance	50 ohms
VSWR	<1.5:1
Front to back ratio	> 22 dB
Polarization	Vertical
Maximum input power	500 watts (at 50° C)
H-plane beamwidth	120 degrees (half-power)
E-plane beamwidth	50 degrees (half-power)
Connector	7-16 DIN female
Weight	19.8 lb (9 kg)
Dimensions	39 x 19.4 x 7.5 inches (992 x 492 x 190 mm)
Wind load	at 93 mph (150kph)
Front/Side/Rear	113 lbf / 50 lbf / 161 lbf (500 N) / (220 N) / (715 N)
Wind survival rating*	120 mph (200 kph)
Shipping dimensions	41.8 x 22 x 10.8 inches (1145 x 505 x 255 mm)
Shipping weight	28 lb (12.7 kg)
Mounting	See mounting hardware options on reverse.

See reverse for order information.

* Mechanical design is based on environmental conditions as stipulated in EIA-222-F (June 1996) and/or ETS 300 019-1-4 which include the static mechanical load imposed on an antenna by wind at maximum velocity. See the Engineering Section of the catalog for further details.



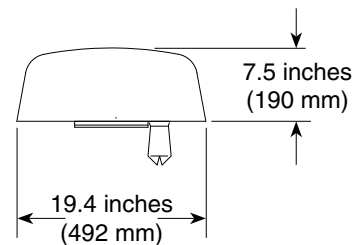
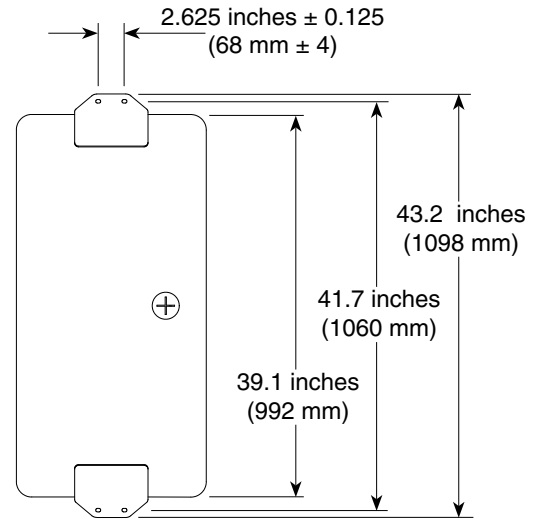
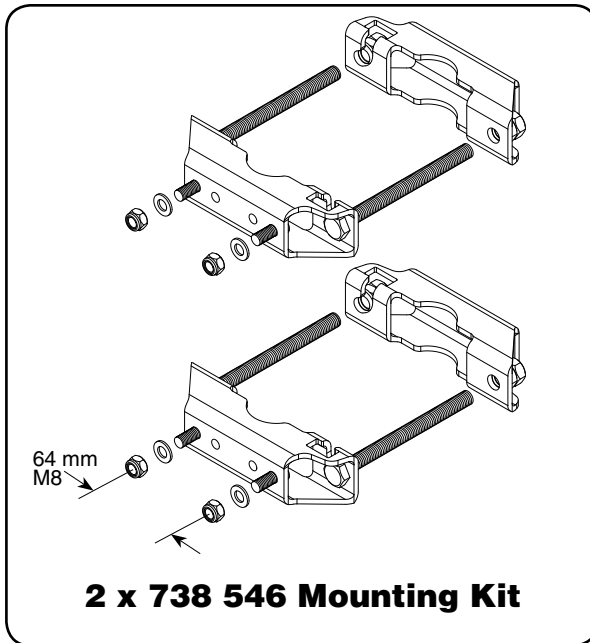
H-plane
Horizontal pattern – V-polarization



E-plane
Vertical pattern – V-polarization



10574-C
936.4121



Mounting Options:

Model	Description
2 x 738 546	Mounting Kit for 2 to 4.6 inch (50 to 115 mm) OD mast.
2 x 850 10002	Mounting Kit for 4.3 to 8.7 inch (110 to 220 mm) OD mast.
2 x 850 10003	Mounting Kit for 8.3 to 15 inch (210 to 380 mm) OD mast.

Order Information:

Model	Description
731 291	Panel antenna with 7-16 DIN connector

All specifications are subject to change without notice. The latest specifications are available at www.kathrein-scala.com.