

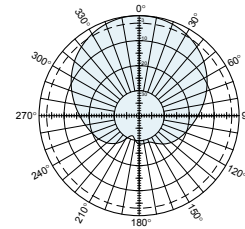
- UV resistant fiberglass radomes.
- Wideband vector dipole technology.
- DC Grounded metallic parts for impulse suppression.



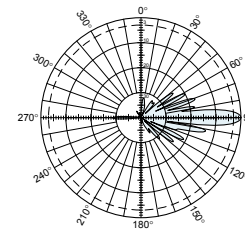
**Specifications:**

Frequency range	806–960 MHz
Impedance	50 ohms
VSWR	< 1.5:1
Intermodulation (2x20w)	IM3: <150dBc
Polarization	Vertical
Maximum input power	500 watts (at 50°C)
Electrical down tilt	0 degrees
Connector	7-16 DIN female
Weight	26.5 lb (12 kg) 30.4 lb (13.8 kg) clamps included
Dimensions	101.3 x 10.2 x 3.9 inches (2574 x 259 x 99 mm)
Wind load	at 93 mph (150kph)
Front/Side/Rear	167 lbf / 75 lbf / 286 lbf (740 N) / (330 N) / (1270 N)
Mounting category	H (Heavy)
Wind survival rating*	120 mph (200 kph)
Shipping dimensions	106.5 x 10.7 x 5.8 inches (2706 x 272 x 147 mm)
Shipping weight	41 lb (18.6 kg)
Mounting	Fixed mounts for 2 to 4.6 inch (50 to 115 mm) OD masts are included and tilt options are available.

*See reverse for order information.*



**H-plane**  
Horizontal pattern  
V-polarization



**E-plane**  
Vertical pattern  
V-polarization

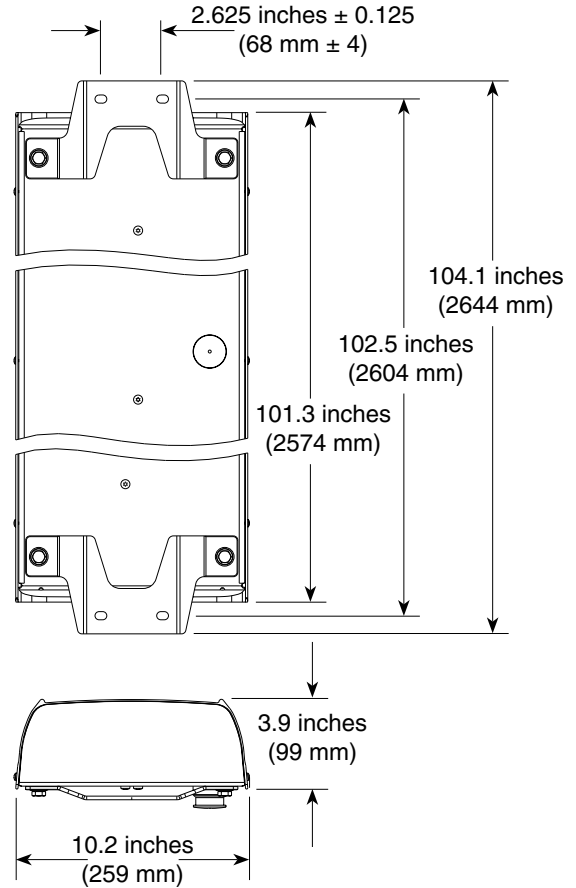
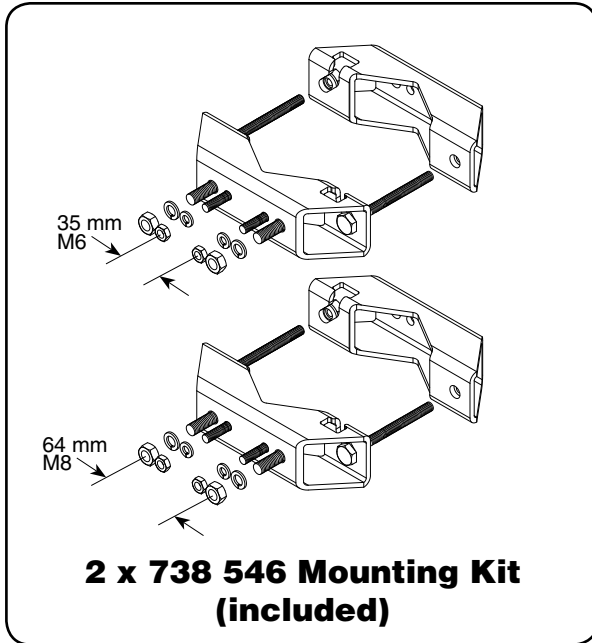
\* Mechanical design is based on environmental conditions as stipulated in TIA-222-G-2 (December 2009) and/or ETS 300 019-1-4 which include the static mechanical load imposed on an antenna by wind at maximum velocity. See the Engineering Section of the catalog for further details.

<b>Specifications:</b>	<b>806–866 MHz</b>	<b>824–894 MHz</b>	<b>880–960 MHz</b>
Gain	17.9 dBi	18.1 dBi	18.5 dBi
H-plane beamwidth	68° (half-power)	67° (half-power)	65° (half-power)
E-plane beamwidth	7.4° (half-power)	7.2° (half-power)	6.8° (half-power)
Front-to-back ratio (180°±30°)	>25 dB	>25 dB	>25 dB
Sidelobe suppression for first sidelobe above horizon	>17 dB	>17 dB	>18 dB



11326-A  
936.3744/a





**Mounting Options:**

Model	Description
2 x 738 546 (included)	Mounting Kit for 2 to 4.6 inch (50 to 115 mm) OD mast. 4 lb (1.8 kg)
850 10007	Tilt Mount Kit 0–8 degrees downtilt angle. 14.3 lb (6.5 kg)

**Order Information:**

Model	Description
730 376V01	Antenna with 7-16 DIN connector 0° electrical downtilt

All specifications are subject to change without notice. The latest specifications are available at [www.kathrein-scala.com](http://www.kathrein-scala.com).

Kathrein Inc., Scala Division Post Office Box 4580 Medford, OR 97501 (USA) Phone: (541) 779-6500 Fax: (541) 779-3991  
Email: [communications@kathrein.com](mailto:communications@kathrein.com) Internet: [www.kathrein-scala.com](http://www.kathrein-scala.com)