

Omnidirectional Antenna
146–174 MHz

The Kathrein 711 530 and K51262 omnidirectional groundplane antennas are intended for use in professional fixed-station applications in the 146–174 MHz band. They feature:

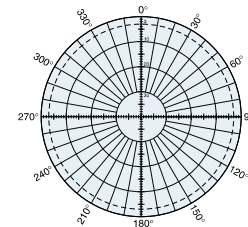
- A design based on decades of proven reliability.
- Variable mounting configurations allow feeder cable to be run inside or outside the support pipe.
- Entire antenna at DC ground potential.
- Stainless steel ground radials, hardware, and fastenings.



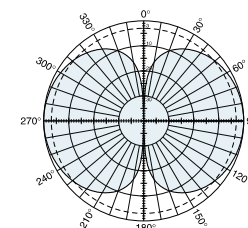
Specifications:

Frequency range	146–174 MHz
Gain	2 dBi
Impedance	50 ohms
VSWR	<1.5:1
Polarization	Vertical
Maximum input power	700 watts (at 50°C)
H-plane beamwidth	Omni
E-plane beamwidth	78 degrees (half-power)
Connector	711 530 K51262 N female RG-213/u cable termination inside antenna
Weight	2.6 lb (1.2 kg)
Dimensions	
radiating element	16.6 inches (422 mm)
ground radials	24.3 inches (617 mm)
Equivalent flat plate area	0.24 ft ² (0.022 m ²)
Wind survival rating*	120 mph (200 kph)
Shipping dimensions	25.7 x 4.4 x 3.8 inches (654 x 112 x 97 mm)
Shipping weight	4 lb (1.9 kg)
Mounting	For masts of 0.8 to 2.1 inches (20 to 54 mm) OD.

See reverse for order information.



H-plane
Horizontal pattern – V-polarization



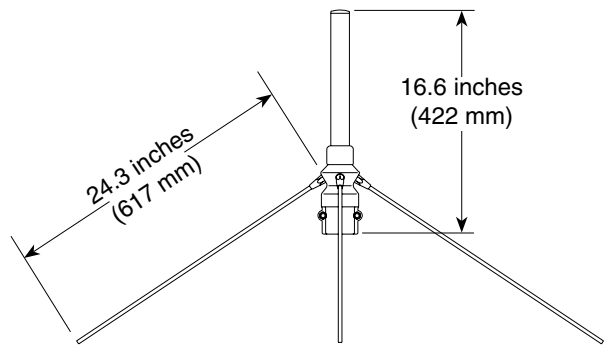
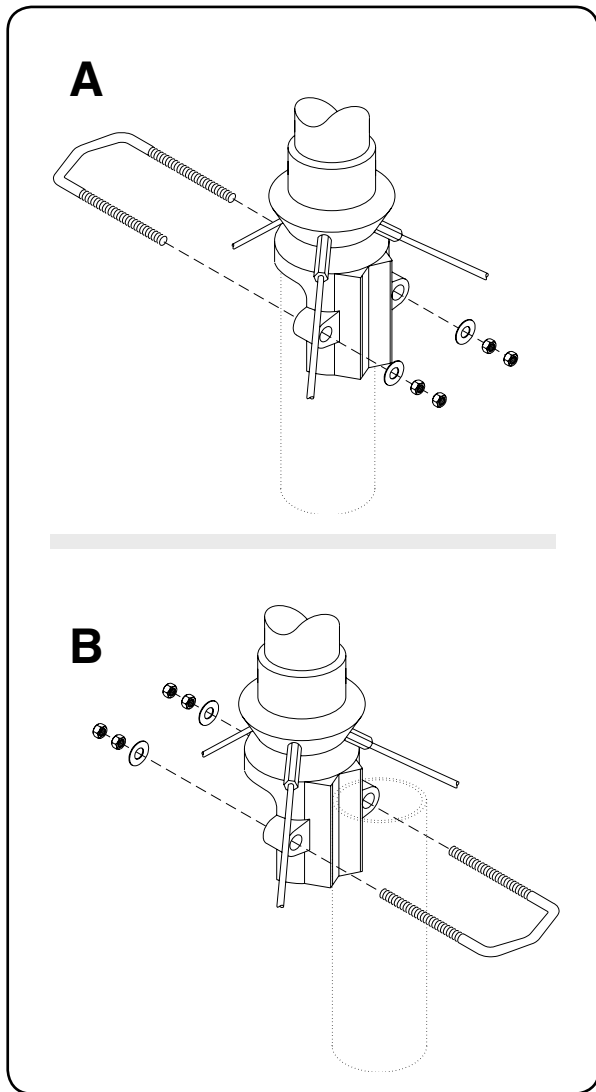
E-plane
Vertical pattern – V-polarization

* Mechanical design is based on environmental conditions as stipulated in EIA-222-F (June 1996) and/or ETS 300 019-1-4 which include the static mechanical load imposed on an antenna by wind at maximum velocity. See the Engineering Section of the catalog for further details.



10220-C
936.048/b





Mounting Options:

	Description
A	Mounting for 1.6 to 2.1 inch (40 to 54 mm) OD mast
B	Mounting for 0.8 to 1.6 inch (20 to 40 mm) OD mast

Order Information:

Model	Description
711 530	Omni Antenna with N connector
K51262	Omni Antenna with RG-213/u cable termination inside antenna

All specifications are subject to change without notice. The latest specifications are available at www.kathrein-scala.com.